



13



43



## 13 AND 43

### Standard

#### SPECIFICATIONS

- ◆ **PC Board Mountable Pressure Sensor**
- ◆ **0-100 mV Output**
- ◆ **Current Excitation**
- ◆ **Gage and Absolute**
- ◆ **Temperature Compensated**

The 13 and 43 are temperature compensated, piezoresistive silicon pressure sensors packaged in a TO-8 configuration. It provides excellent performance and long-term stability.

Gage and absolute pressure ranges from 0-2 to 0-250 psi are available. Integral temperature compensation is provided over a range of 0-50°C using laser-trimmed resistors. An additional laser-trimmed resistor is included to normalize pressure sensitivity variations by programming the gain of an external differential amplifier. This provides sensitivity interchangeability of  $\pm 1\%$ .

Please refer to the 13 and 43 1 psi datasheets for low pressure applications.

## FEATURES

- ◆ TO-8 Package
- ◆ 0°C to 50°C Compensated
- ◆ Temperature Range
- ◆  $\pm 0.1\%$  Non Linearity
- ◆ 1.0% Interchangeable Span
- ◆ (provided by gain set resistor)
- ◆ Solid State Reliability

## APPLICATIONS

- ◆ Medical Instruments
- ◆ Process Control
- ◆ Factory Automation
- ◆ Altitude Measurement
- ◆ Vacuum Measurement
- ◆ Handheld Calibrators

## STANDARD RANGES

Range	psig	psia
0 to 2	◆	
0 to 5	◆	◆
0 to 10	◆	◆
0 to 15	◆	◆
0 to 30	◆	◆
0 to 50	◆	◆
0 to 100	◆	◆
0 to 250	◆	◆

## PERFORMANCE SPECIFICATIONS

Supply Current: 1.5mA

Ambient Temperature: 25°C (unless otherwise specified)

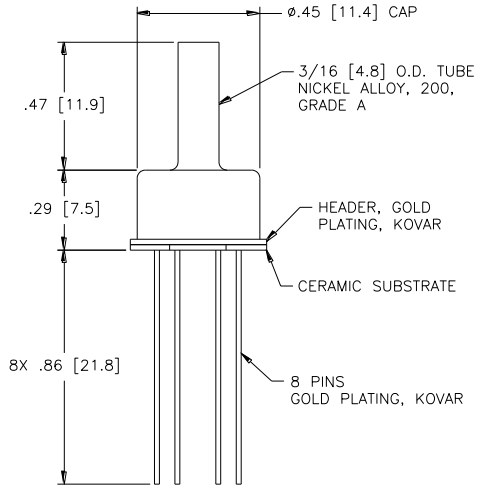
PARAMETERS	MIN	TYP	MAX	UNITS	NOTES
Span	75	100	150	mV	1
Span (2 psi version)	30		60	mV	1
Zero Pressure Output	-2		2	mV	
Pressure Non Linearity	-0.1	±0.05	0.1	%Span	2
Pressure Hysteresis	-0.05	±0.01	0.05	%Span	
Input & Output Resistance	2500	4400	6000	Ω	
Temperature Error – Span	-0.5	±0.3	0.5	%Span	3
Temperature Error – Zero	-0.5	±0.1	0.5	%Span	3
Thermal Hysteresis – Zero		±0.1		%Span	3
Supply Current		1.5	2.0	mA	
Response Time (10% to 90%)		1.0		mS	4
Output Noise (10Hz to 1kHz)		1.0		μV p-p	
Insulation Resistance (50 Vdc)	50			M Ω	5
Long Term Stability (Offset & Span)		±0.1		%Span	6
Pressure Overload			3X	Rated	7
Compensated Temperature	0		50	°C	
Operating Temperature	-40		+125	°C	
Storage Temperature	-50		+150	°C	
Weight			3	grams	
Solder Temperature	250°C Max 5 Sec.				
Media	Non-Corrosive Dry Gases Compatible with Silicon, Pyrex, RTV, Gold, Nickel, and Aluminum				

## Notes

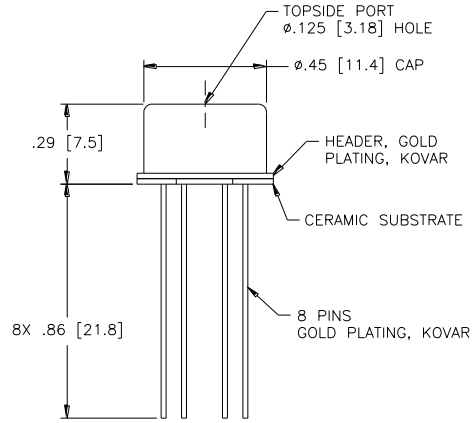
1. Ratiometric to supply current.
2. Best fit straight line.
3. Maximum temperature error between 0°C and 50°C with respect to 25°C. For 2psi devices, Temperature Error – Zero is ±1.25%.
4. For a zero-to-full scale pressure step change.
5. Minimum resistance between case and pins.
6. Long term stability over a one year period with constant current and temperature.
7. 2X maximum for 250 psi device. 20 psi maximum for 2 and 5 psi devices.

**DIMENSIONS**

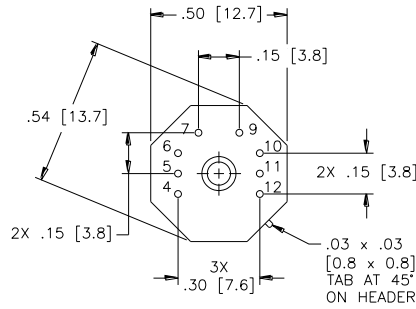
DIMENSIONS ARE IN INCHES [mm]



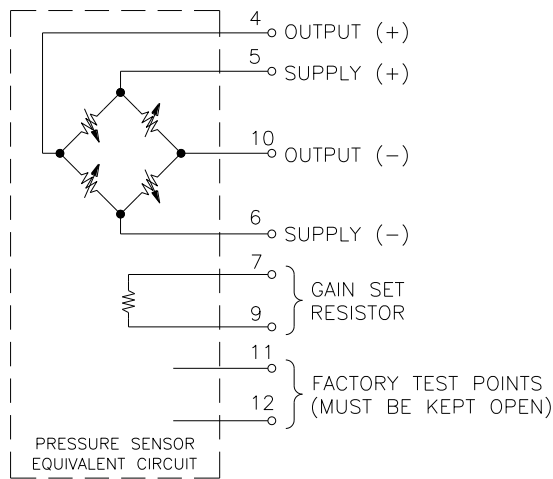
MODEL 13



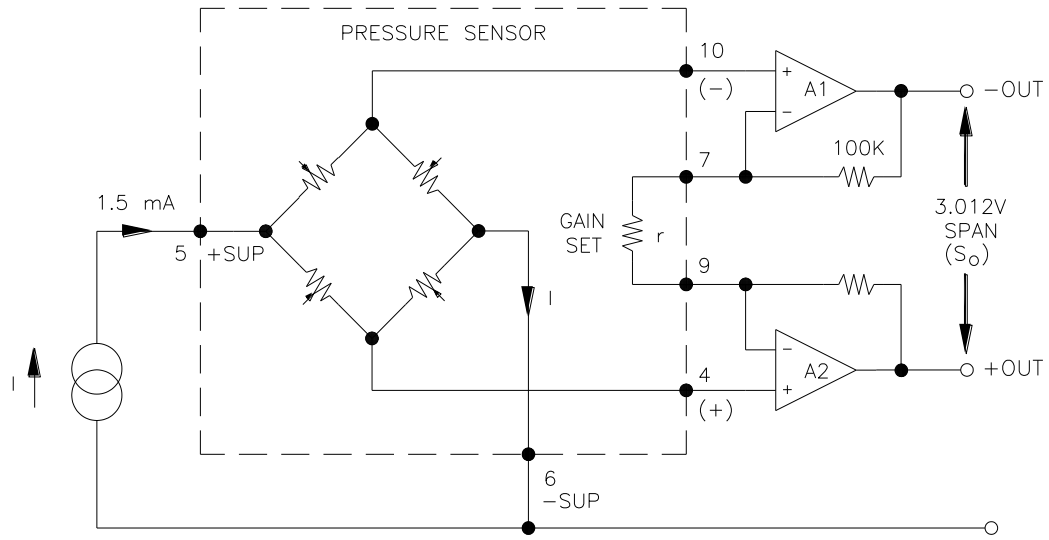
MODEL 43



**CONNECTIONS**



APPLICATION SCHEMATIC



APPLICATION SCHEMATIC

ORDERING INFORMATION

13A - 030 A

Pressure Range [psi]
002 (Gage Only)
005
010
015
030
050
100
250

Pressure Type	
G	Gage
A	Absolute

43A - 030 A

Pressure Range [psi]
002 (Gage Only)
005
010
015
030
050
100
250

Pressure Type	
G	Gage
A	Absolute