

# BL Temperature Probe

NTC BL Temperature Probe is ideal choice  
for temperature control and sensing applications etc.

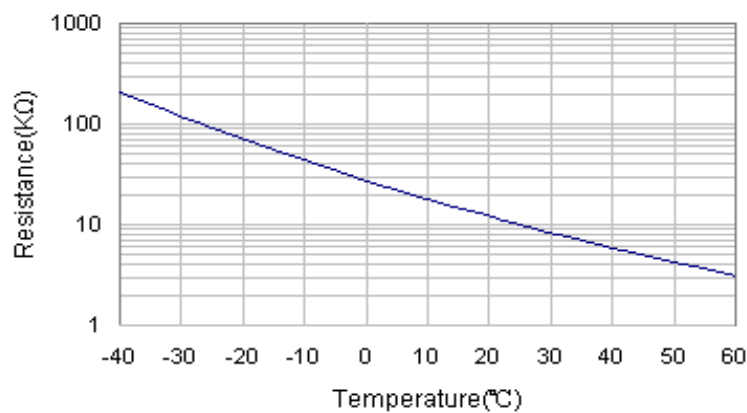
Features	Applications
<ul style="list-style-type: none"><li>operating temperature range from <math>-40^{\circ}\text{C}\sim+70^{\circ}\text{C}</math>.</li><li>Custom Passive Signal Cable with High Density Poly Ethylene Jacket which is rated for direct burial and resists nicks and cuts.</li><li>Good Waterproofness</li><li>High sensitivity</li></ul>	<ul style="list-style-type: none"><li>Temperature measurement and detection</li><li>Temperature control</li><li>Temperature compensation for electronic circuit</li></ul>

## Ratings and Characteristics

zero-Power Resistance(at $25^{\circ}\text{C}$ )	10k $\Omega$
Resistance Tolerance	+/-3%
B Value(B25/85)	3435K
Rated Maximum Power Dissipation	100mW
Operating temperature range	$-40^{\circ}\text{C}\sim+70^{\circ}\text{C}$

## Temperature Performance

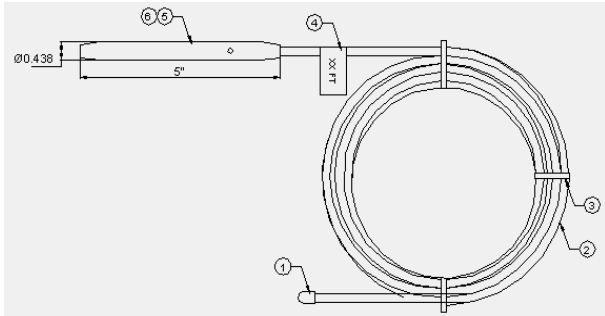
**Resistance vs. Temperature**



# BL Temperature Probe

## Shape and Dimensions

unit: inch



6	3M 100P CLEAR ADHESIVE
5	Housing
4	LABEL,WHITE 15/16"X 1 1/2"
3	CABLE TIE, BLACK, 8", 1000/PK
2	CABLE, 50 OHM COAXIAL RG/58
1	END CAP,RED VINYL,0.137X 1 1/2

## typical product

Part number	description	cable length(ft)
1007268-1	BL Temperature Probe 100'	100
1007268-2	BL Temperature Probe 150'	150
1007268-3	BL Temperature Probe 120'	120
1007268-4	BL Temperature Probe 250'	250
1007268-5	BL Temperature Probe 300'	300

