

MODEL 7131AT ACCELEROMETER



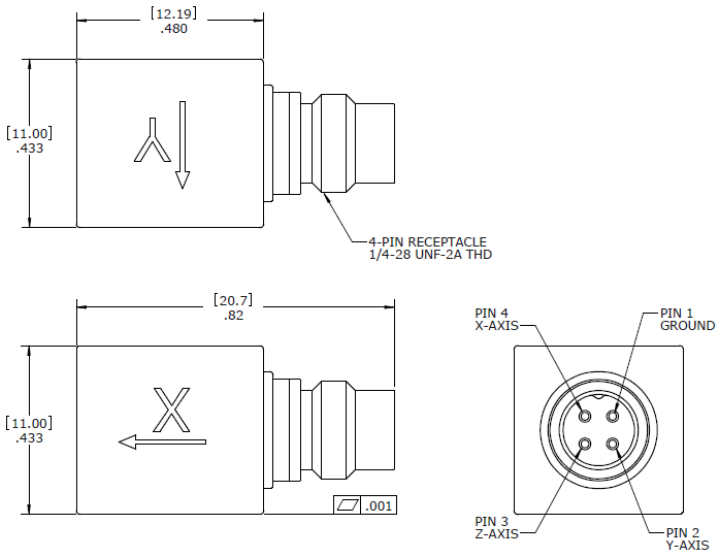
Isolated Case Option

7131AT

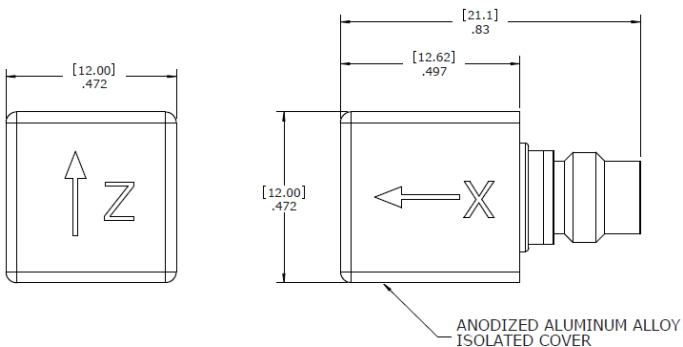


DIMENSIONS

7131AT Dimensions



Isolated Case Dimensions



SPECIFICATIONS

- ◆ Triaxial IEPE Accelerometer
- ◆ Miniature Cube with TEDS
- ◆ Hermetically Sealed, Titanium
- ◆ $\pm 50g$ to $\pm 2000g$ Dynamic Ranges

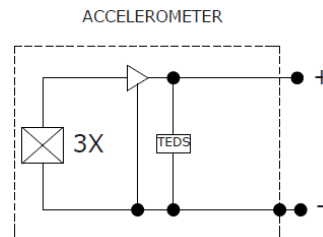
The Model 7131AT is a miniature triaxial IEPE accelerometer available in $\pm 50g$ to $\pm 2000g$ dynamic ranges. The accelerometer features a hermetically sealed Titanium construction with a 4-pin Microtech connector interface and is TEDS 1451.4 compliant. The model 7131A incorporates stable piezo-ceramic crystals in annular shear mode which provide a flat frequency response up to $>10kHz$.

FEATURES

- ◆ 4-pin Connector Interface
- ◆ Wide bandwidth up to 10kHz
- ◆ TEDS 1451.4
- ◆ Miniature Triaxial
- ◆ Annular Shear Mode Crystals
- ◆ Stable Temperature Response
- ◆ Isolated Case Option

APPLICATIONS

- ◆ Vibration & Shock Monitoring
- ◆ Laboratory Testing
- ◆ Modal Applications
- ◆ High Frequency Applications
- ◆ General Purpose Usage
- ◆ Stress Screening



MODEL 7131AT ACCELEROMETER

PERFORMANCE SPECIFICATIONS

All values are typical at +24°C, 80Hz and 4mA excitation unless otherwise stated. Measurement Specialties reserves the right to update and change these specifications without notice.

Parameters

DYNAMIC

	-51	-12	-22	-52	-23	Notes
Dash Number (GG)						See Ordering Information
Range (g)	±50	±100	±200	±500	±2000	
Sensitivity (mV/g)	100	50	25	10	2.5	±15%
Frequency Response (Hz)	2.5-8000	1.5-8000	1.5-8000	1-8000	1-9000	±10%
Frequency Response (Hz)	1-10000	0.8-10000	0.8-10000	0.5-10000	0.5-11000	±2dB
Natural Frequency (Hz)	43000	43000	43000	43000	43000	
Non-Linearity (%FSO)	±1	±1	±1	±1	±1	
Transverse Sensitivity (%)	<5	<5	<5	<5	<5	
Shock Limit (g)	5000	5000	5000	5000	5000	
Residual Noise (g RMS)	0.0004	0.0005	0.0008	0.0012	0.0032	Broadband 1Hz to 10kHz

ELECTRICAL

Compliance Voltage (Vdc)	18 to 30	
Excitation Current (mA)	2 to 10	
Bias Voltage (Vdc)	8 to 12	Room Temperature
Bias Voltage (Vdc)	6 to 13	-55 to +125°C
Output Impedance (Ω)	<100	
Full Scale Output Voltage (V)	±5	
Discharge Time Constant (sec)	0.8 to 1.2	
Ground Isolation	Case Grounded (Case Isolation option; see ordering info on page 3)	

ENVIRONMENTAL

Temperature Response (%)	See Typical Temperature Response Curve
Operating Temperature (°C)	-55 to +125
Storage Temperature (°C)	-55 to +125
Humidity	Hermetically Sealed

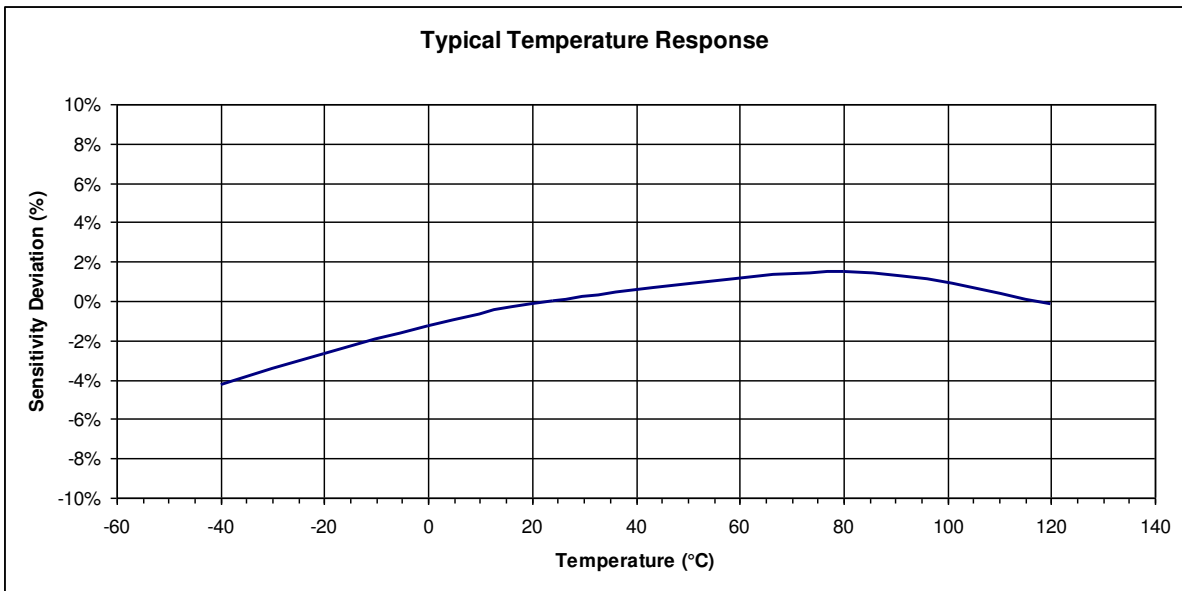
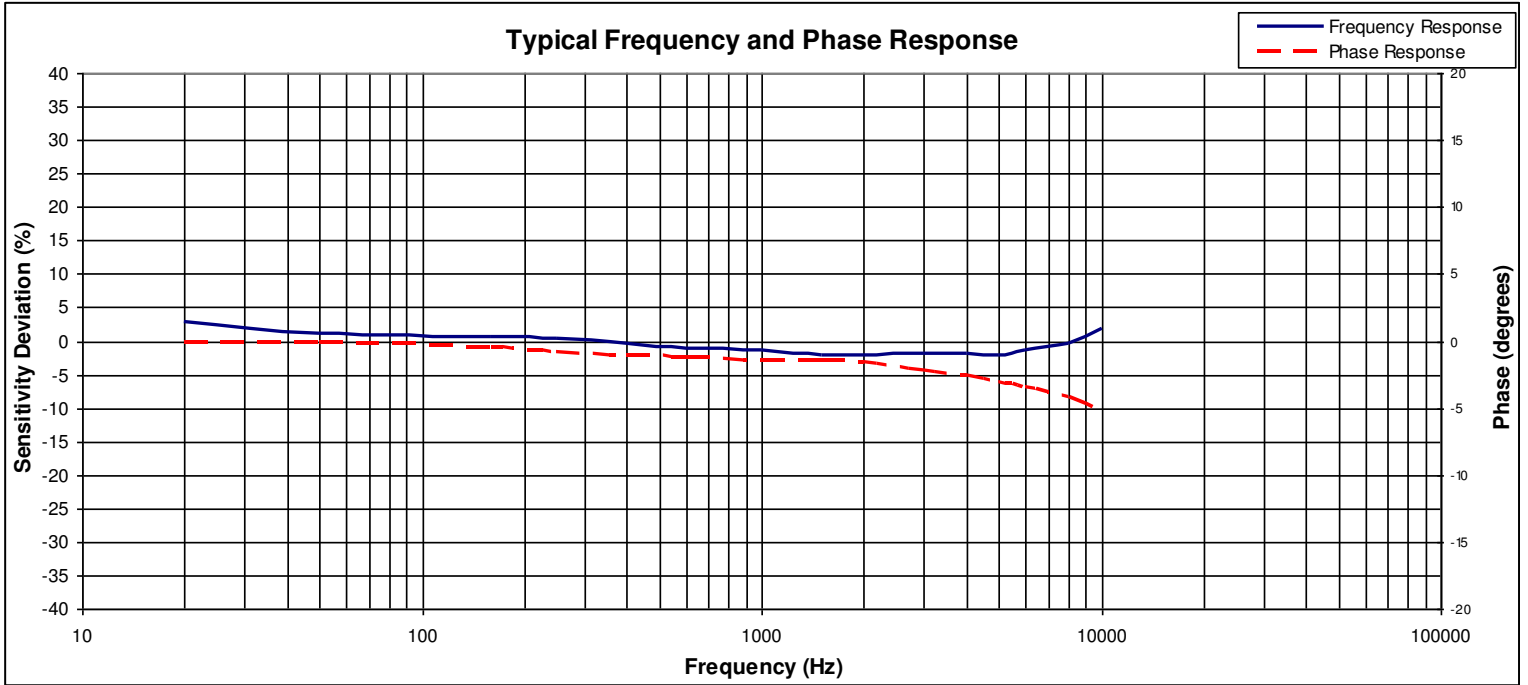
PHYSICAL

Sensing Element	Ceramic (shear mode)
Case Material	Titanium
Electrical Connector	4-Pin Receptacle
Weight (grams)	5.8 (6.6 for Isolated Case Option)
Mounting	Adhesive (stud mount option)

Calibration supplied: CS-FREQ-0100 NIST Traceable Amplitude Calibration from 20Hz to ±2dB Frequency Response Limit

Optional accessories: 315-XXX Cable Assembly, 4-pin 1/4-28 to 3x BNC (XXX designates length in inches, 10ft standard)
161A 4-Channel PE & IEPE Signal Conditioner
AC-A04025 Adhesive Mounting Adaptor (for -02 thread option)

The information in this sheet has been carefully reviewed and is believed to be accurate; however, no responsibility is assumed for inaccuracies. Furthermore, this information does not convey to the purchaser of such devices any license under the patent rights to the manufacturer. Measurement Specialties, Inc. reserves the right to make changes without further notice to any product herein. Measurement Specialties, Inc. makes no warranty, representation or guarantee regarding the suitability of its product for any particular purpose, nor does Measurement Specialties, Inc. assume any liability arising out of the application or use of any product or circuit and specifically disclaims any and all liability, including without limitation consequential or incidental damages. Typical parameters can and do vary in different applications. All operating parameters must be validated for each customer application by customer's technical experts. Measurement Specialties, Inc. does not convey any license under its patent rights nor the rights of others.



MODEL 7131AT ACCELEROMETER

ORDERING INFORMATION

PART NUMBERING Model Number+Range

7131AGG -XX

| | _____ Optional Dash Number

| _____ Range (51 is $5 \times 10^1 = 50g$, 12 is $1 \times 10^2 = 100g$)

Dash Number

-01

-02

-03

Thread Options

M2.5 x 0.45 6g

#5-40 UNF-2B

Case Isolated

Example: 7131A51

Model 7131AT, 50g, No Option